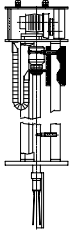

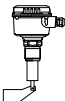


Height adjustable unit

Controllable measurement
point displacement **HFM 5**
Option list



Table of contents

		page
HFM 5		P2
spare parts		P4
VN 2030		P5
RN 3002		P6

Subject to technical change.

All dimensions in mm (inches).

We assume no liability for typing errors.

Valid from 01.04.2009 until 31.03.2010 unless otherwise agreed.

By publishing this option list all other option lists become invalid.

Different variations to those specified are possible.
Please contact our technical consultants.

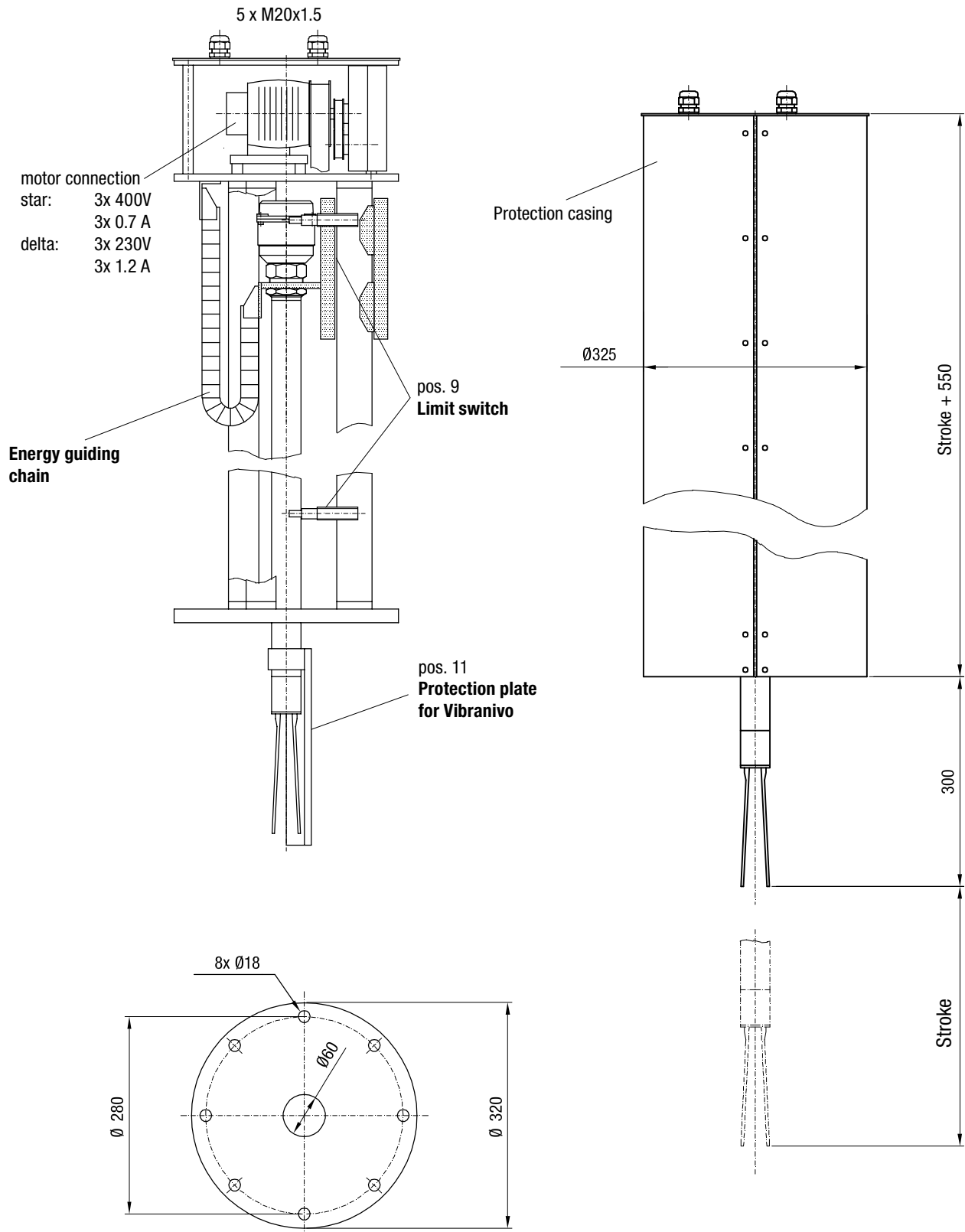


Height adjustable unit

Controllable measurement
point displacement **HFM 5**
Option list



Dimensions



Height adjustable unit

Controllable measurement
point displacement **HFM 5**
Option list



Selection / Options HFM 5

Selection

Basic instrument HFM 5

- pos. 2 **Height variation unit executed for**
A Vibranivo 2030 (not included in the price!)
B Rotonivo 3002 (not included in the price!)

pos. 3 **Adjustable route / stroke** (max. 2500mm)
Z per started 100mm

Position	1	2	3	adjustable route / stroke max. 2500mm	
HFM 5	A		Z	L=	mm

← Order code

All positions are available with special equipment (use code "Z").

Options

- pos. 9 **Limit switch**
IG0006 (Twin-line, 10 – 250V AC/DC)
(ind. proximity switch from company IFM)
NF 15+U1+E2 (PNP, 10 – 30V DC)
(ind. proximity switch from company Pepperl + Fuchs)
3 S E3 200 – 1E (1u pot.-free)
(mech. positions switch from company Siemens)
IG 5401 (PNP, 10 – 36V DC)
(ind. proximity switch from company IFM)

pos. 11 **protection plate for Vibranivo**

Special equipment on request.



Height adjustable unit

Controllable measurement
point displacement **HFM 5**
Option list



Spare parts

Spare parts

gm301001	geared motor
hf301031	cog belt (price per 1 m)
lg300003	ball-bearing for running slide
lg300100	ball-bearing for pulley block
em302120	potentiometer
lg300120	felt stripper



Height adjustable unit

Controllable measurement
point displacement **HFM 5**
Option list

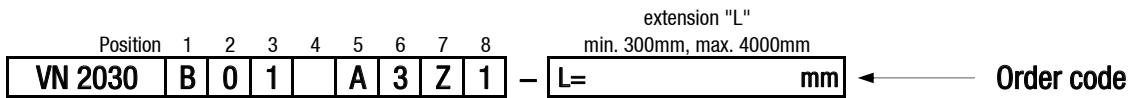


Selection / Options / Dimensions VN 2030

Selection

Basic type VN 2030

- pos. 4 **Power supply**
- D 18..50V DC PNP
- E 19..253V AC 19..60V DC relais (SPDT)
-
- pos. 7 **Length of extension "L" (V2A)**
- Z more than 300mm each initial 100mm
- ("L"=stroke + 535mm)

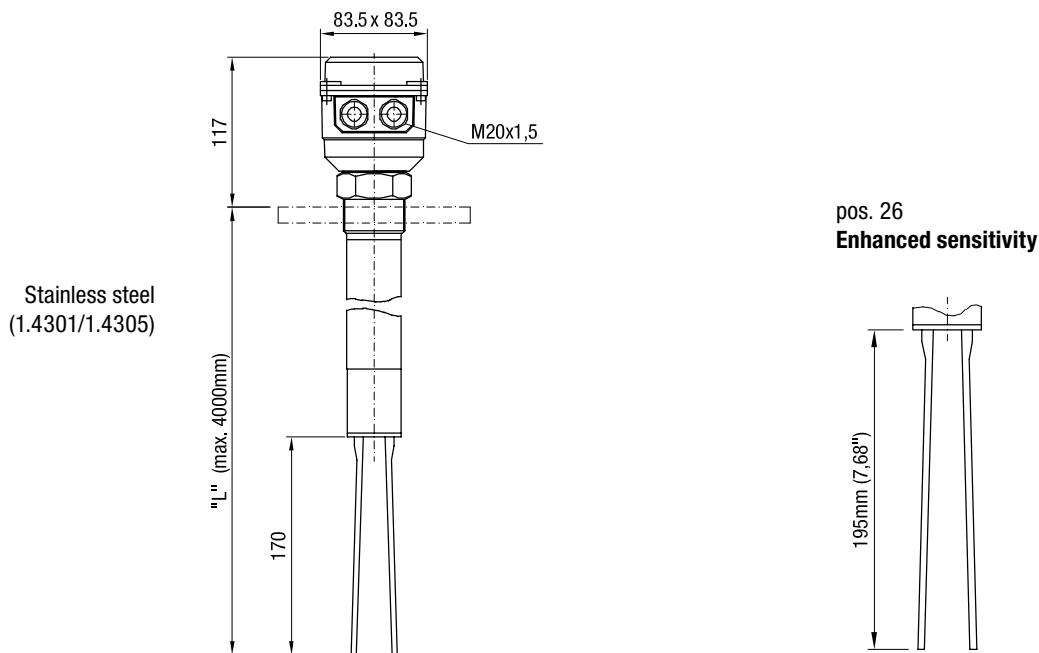


All positions are available in special design (use code "Z").

Options

- pos. 26 **Enhanced sensitivity (>5g/l)**

Dimensions VN 2030



Height adjustable unit

Controllable measurement
point displacement **HFM 5**
Option list



Selection / Dimensions RN 3002

Selection with additional prices

Basic type RN 3002

pos. 5

Power supply

- A 220..240V AC 50–60 Hz
- B 110..120V AC 50–60 Hz
- C 48V AC 50–60 Hz
- D 24V AC 50–60 Hz
- E 24V DC

pos. 8

Extension "L"

- Z each initial 100mm
- ("L" = stroke + 535mm)

Position	1	2	3	4	5	6	7	8	9	10		
	RN	3002	B	0	1	1		A	3	Z	3	

- L= mm

← Order code

All positions are available in special design (use code "Z").

Dimensions RN 3002

