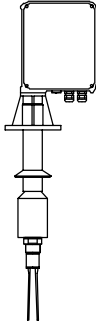


## Table of contents

---

	page
FN 6	P2



Subject to technical change.

All dimensions in mm (inches).

We assume no liability for typing errors.

Valid from 01.04.2009 until 31.03.2010 unless otherwise agreed.

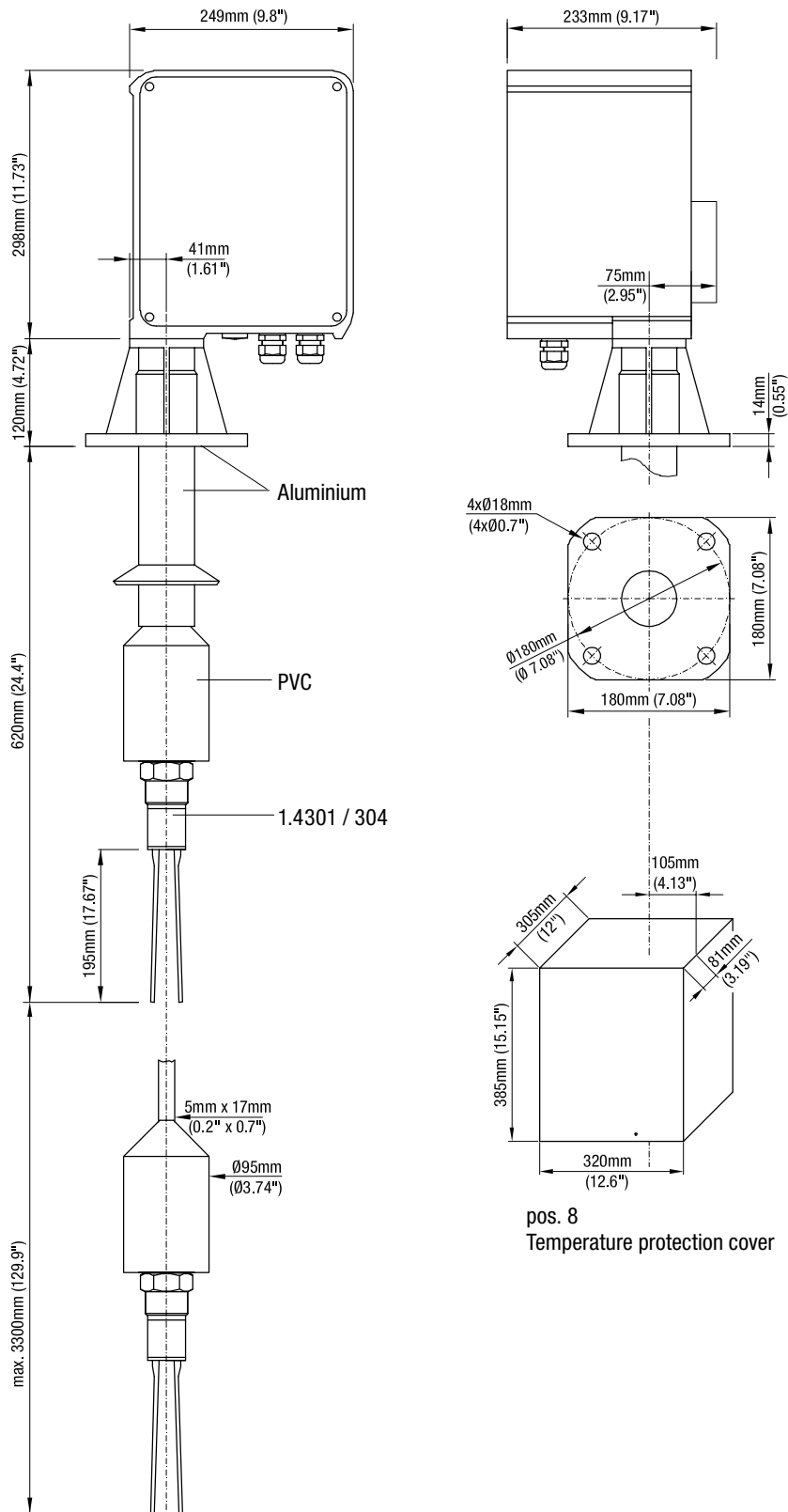
By publishing this option list all other option lists become invalid.

Different variations to those specified are possible.  
Please contact our technical consultants.

## Dimensions

### Adjustable point level switch

- minimal maintenance
- robust design
- light weight
- compact construction





## Selection / Options

### Basic unit FN6

Ambient temperature: 0 .. 60°C

- pos. 2 **Sensitivity of vibration fork**  
 A 5g/l .....  
 B 20g/l .....
- pos. 5 **Power supply**  
 A 230V AC .....  
 B 115V AC .....

### Options

- pos. 21 Temperature protection cover .....  
**for ambient temperature up to -20°C**
- pos. 22 Mounting set ø18 (for opposite flange with hole ø18) .....  
**4 screws M16x60 A2**  
 4 nuts M16 A2  
 4 washers A2  
 1 sealing max. 125°C
- pos. 23 Mounting set M16 (for opposite flange with thread M16) .....  
**4 screws M16x60 A2**  
 4 washers A2  
 1 sealing max. 125°C
- pos. 24 Cable entry  
 A 3x  
 B 3x conduit connection NPT 3/4" tapered ANSI B1.20.1 .....
- pos. 25 Pressure connection .....  
**(quick coupling including counter part for internal hose diameter 9mm)**
- Pos. 26 Pulse converter PAX I for evaluation 0/4-20 mA  
 A 85 - 250 VAC .....  
 B 11 - 36 VDC / 24 VAC .....
- Pos. 27 Hat rail adaptor for pulse converter PAX I .....  
**For mounting in a control cabinet**

FN 6	A	1	1	1	1	A	1	A	A	
Position	1	2	3	4	5	6	7	8	9	10

← **Order code**

Other versions on request

